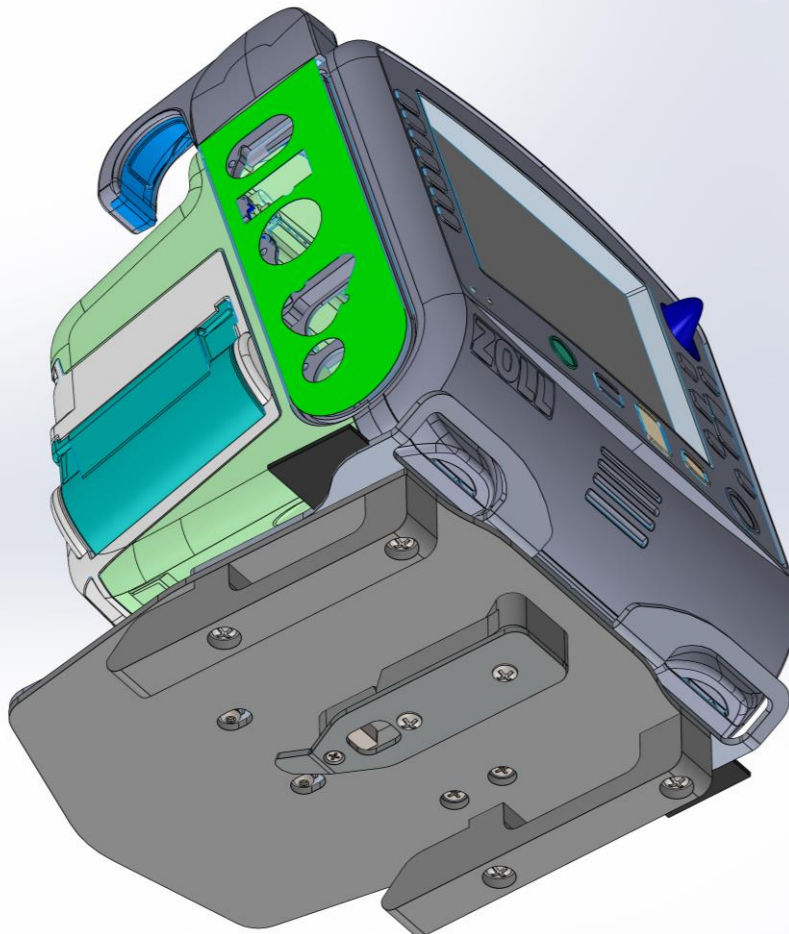
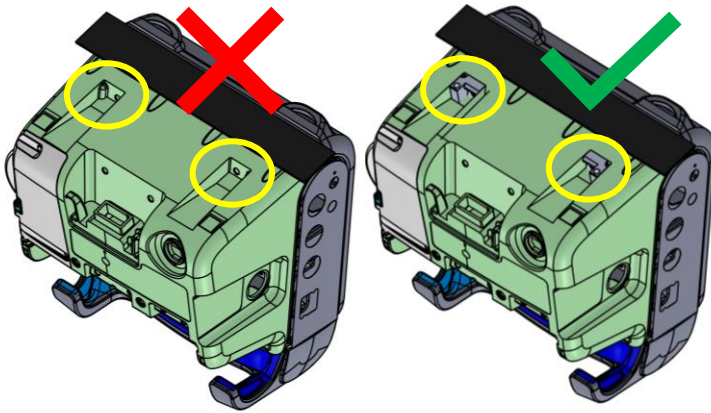
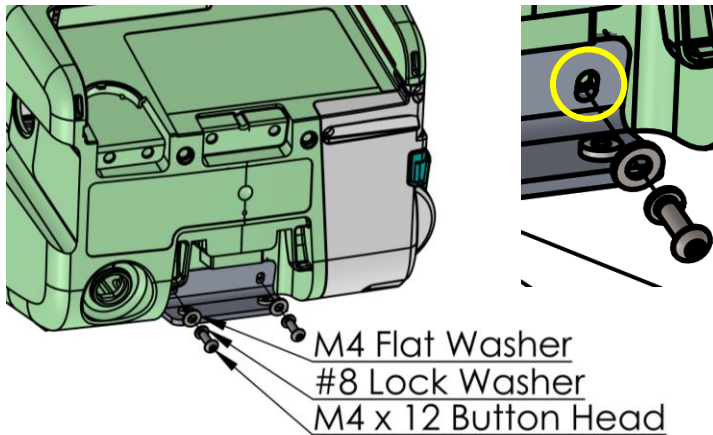


R-606088 Zoll Mounting Plate Install Instructions

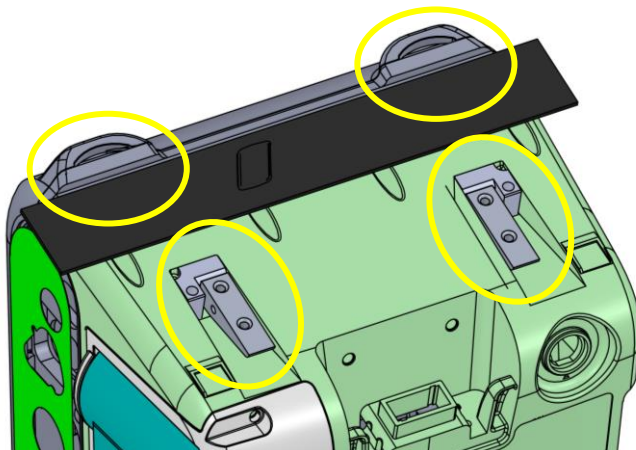




Check bottom of defibrillator for mounting hooks. If the mounting hooks are not present on the unit get them added then proceed.

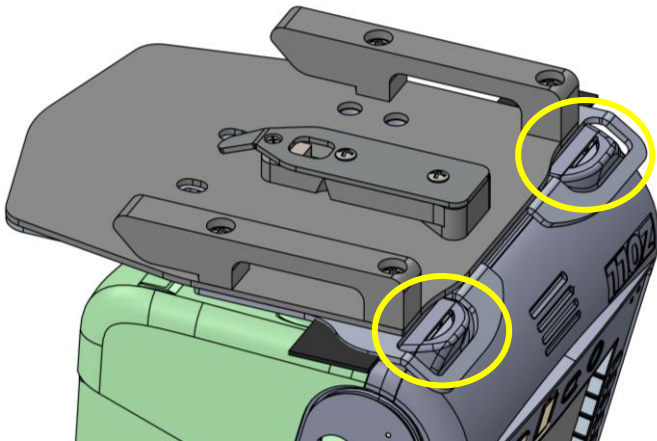


Attach the rear bracket using the indicated hardware. Note the fasteners are in the slotted holes in the rear bracket not the threaded hole. Fasteners should be screwed in until rear bracket touches defibrillator, do not tighten.



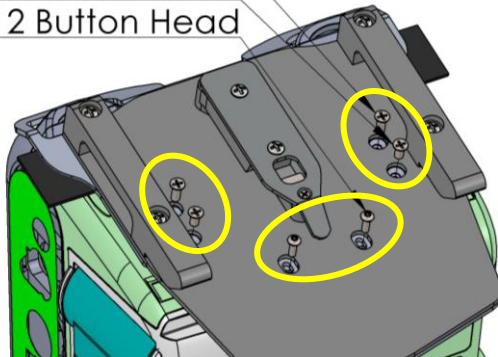
If the defibrillator has the side packs installed make sure the bottom strap is not overlapping the front foot.

Place the hooks on the defib as shown on the image above.



Place the mounting plate on the bottom of the defibrillator as shown above, make sure the front loops are hooked around the front feet of the defibrillator.

#10-32 x 0.5" Flat Head
#10-32 x 0.375" Flat Head
M4 x 12 Button Head

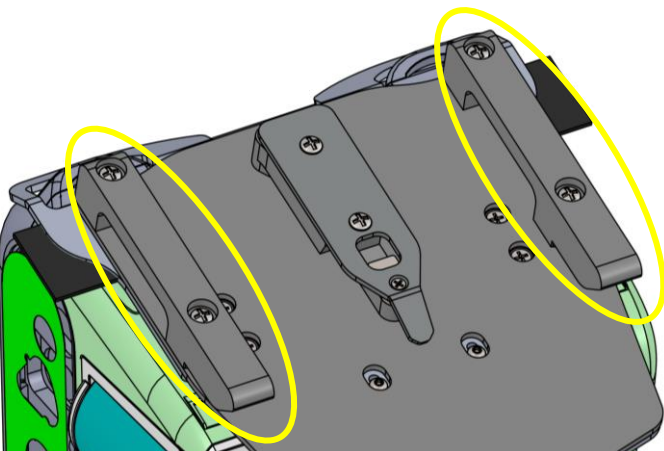


Apply Loctite 243 to the threads of all 6 screws used in this step.

Insert the screws as indicated in the image.

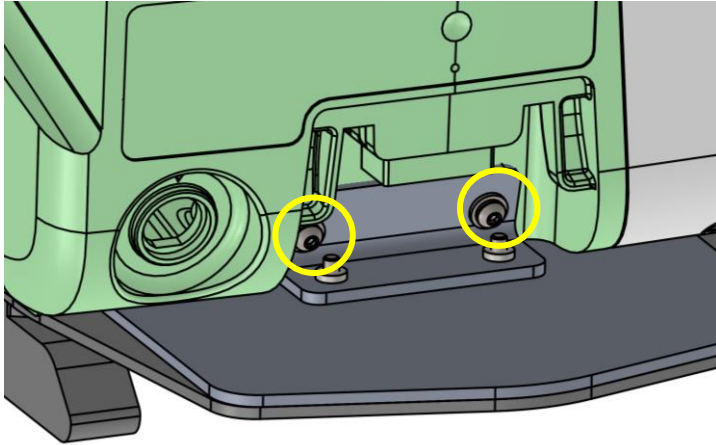
10-32 screws should be tightened to 30 lbf-in

M4 screws should be screwed in until rear bracket is touching plate, do not tighten.

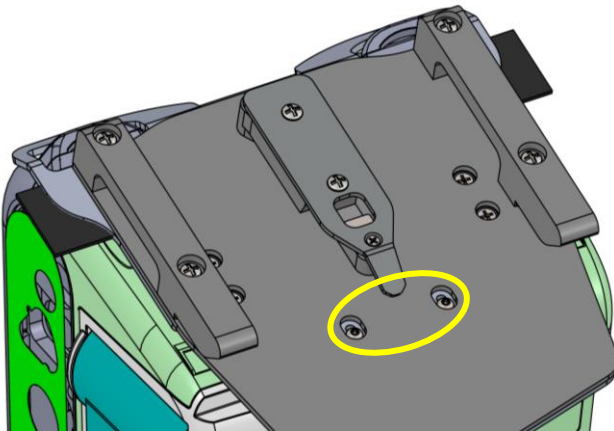


Grab the stands on the bottom of the mounting plate and pull to check the mounting plate is securely attached to the defibrillator.





Tighten rear bracket screws to defibrillator to 15 lfb-in.



Tighten rear bracket screws to mounting plate to 15 lfb-in.

This step must be completed within 4 minutes of applying the Loctite to the screws.

