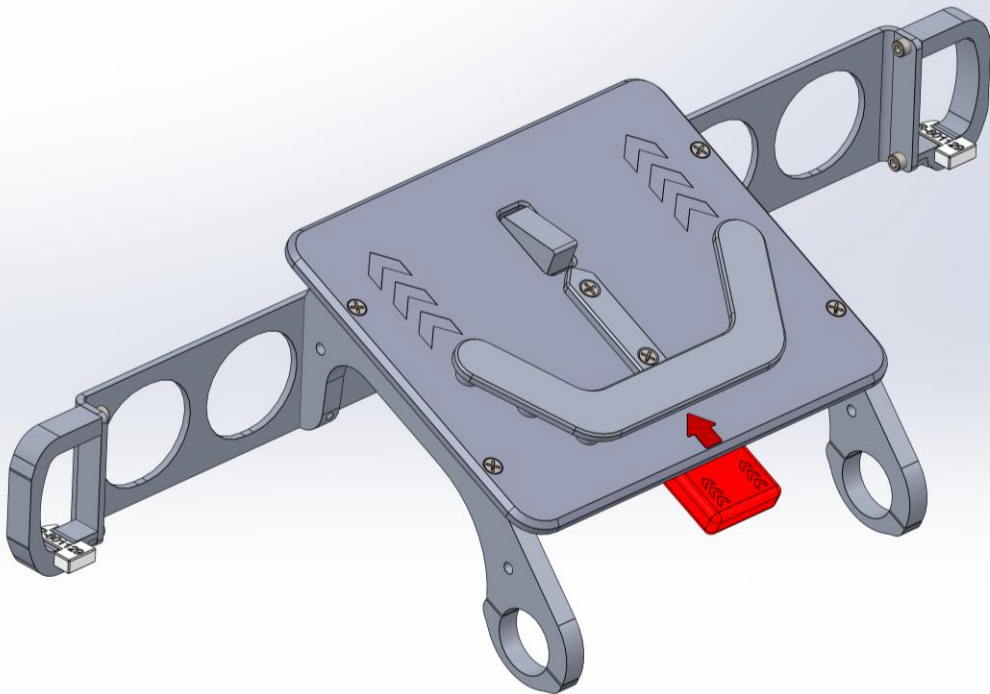


R-606074 - Mount Oxygen Carry PowerPro Dock



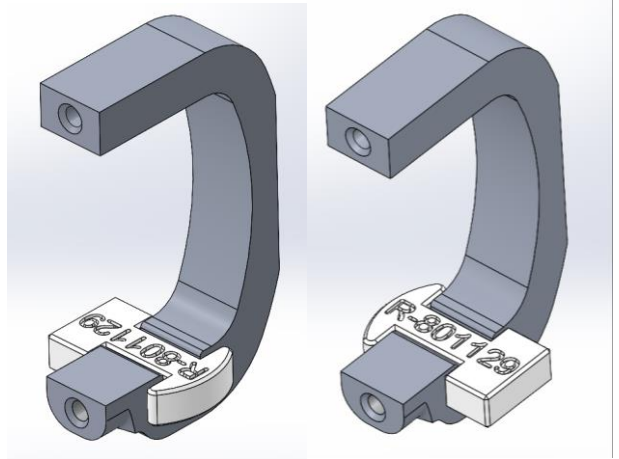
Install Instructions

Step 1



Install backrest release cover using the dome head rivets.

Step 2



Put spacers in side U clamps.

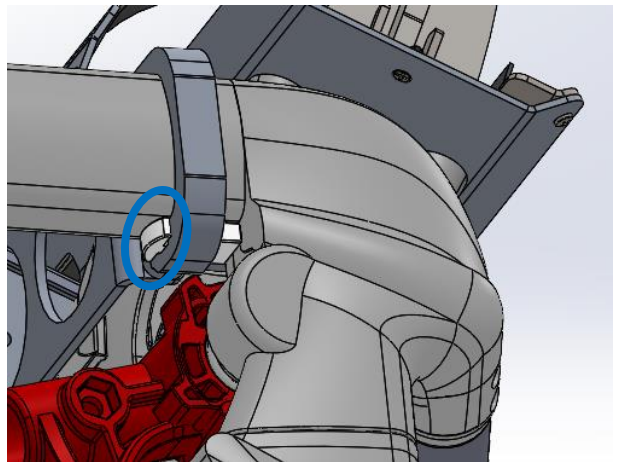
Note spacers are positioned differently in each clamp.

Step 3



Place dock on cot as shown. Install side U clamps using 10-32 x 3/8 socket head cap screws. See picture to right for spacer orientation. Do not tighten fasteners yet. Use Loctite on fasteners.

Step 4



Round side of spacer should be towards foot end of cot.





Install front clamps using 10-32 x 3/8 socket head cap screws. Use Loctite on fasteners.



Tighten fasteners from step 2.

